



A new dimension in rainwater management



Our new flagship: Platin XL/XXL

Welcome aboard

- Up to 65,000 litres
- Rotating tank dome to easily align the connecting surfaces
- Available with a second tank dome as an option
- Suitable for HGV loading up to a vehicle weight of 30 t (66138 lbs)*
- Flexible connection up to DN 300 (12")
- Connection surfaces with prefitted DN 150 (6") lip seals
- Tank height of just 125 cm (4' 1")



High-quality, integrated DN 150 (6") filter technology



Available with a second tank dome as an option



Dome opening with stainless steel profile for precision fit and secure mounting

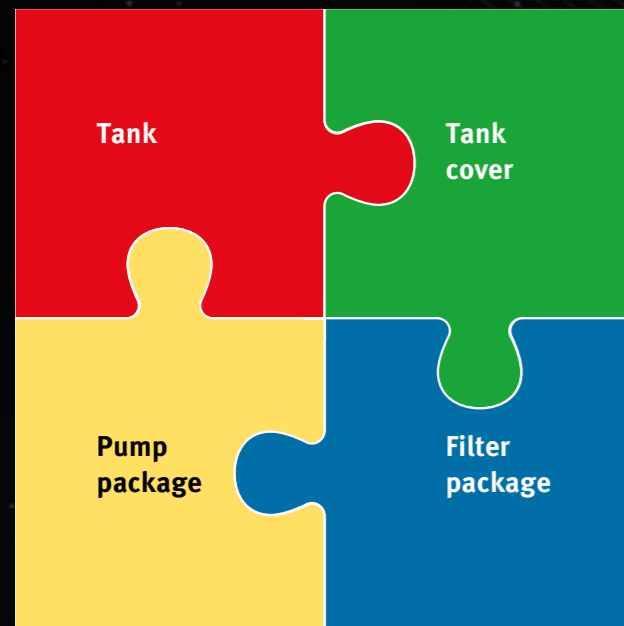


Connection fitting of up to DN 200 (8"), on tank dome of up to DN 300 (12")



*With cover suitable for lorry-bearing in combination with load distribution plate

The Platin XL/XXL modular system



Tank

The underground tank Platin is the basis for the modular system.

Tank cover

Would you like to install your tank in the garden or in a driveway? GRAF offers you wide range of telescopic tank covers from plastic to cast iron.

Filter package

Are you looking for the best value solution or high-quality, self-cleaning filter technology? The GRAF filter package contains all components needed in the tank.

Pump package

From the simple garden pump to the fully automatic drinking water intake technology. The pump package also includes the accessories needed for installation.

Tank

Platin XL 10,000 – 15,000 litres



Platin XL 10,000 l (2,650 US gal.) Order no. 390822	Platin XL 15,000 l (3,975 US gal.) Order no. 390823
---	---

Platin XXL 20,000 – 65,000 litres



Platin XXL 20,000 l (5,300 US gal.) Order no. 391810	Platin XXL 25,000 l (6,625 US gal.) Order no. 391811
Platin XXL 30,000 l (7,950 US gal.) Order no. 391002	Platin XXL 35,000 l (9,275 US gal.) Order no. 391003
Platin XXL 40,000 l (10,600 US gal.) Order no. 391004	Platin XXL 45,000 l (11,925 US gal.) Order no. 391005
Platin XXL 50,000 l (13,250 US gal.) Order no. 391006	Platin XXL 55,000 l (14,575 US gal.) Order no. 391007
Platin XXL 60,000 l (15,900 US gal.) Order no. 391008	Platin XXL 65,000 l (17,225 US gal.) Order no. 391009

Tank cover

 Mini telescopic dome shaft Order no. 371010	 Tank dome Mini ²⁾ DN100 Order no. 371064
 Maxi telescopic dome shaft Order no. 371011	 Tank dome Maxi DN100 Order no. 371063
 Telescopic dome shaft cast iron Order no. 371020	 Tank dome Maxi DN150 Order no. 371062
 Telescopic dome shaft lorry-bearing For standard cast concrete covers Order no. 371021	 Tank dome Micro Order no. 371009
 Extension Order no. 371003	 Tank dome Plug Order no. 371065

2) Only for use in connection with external filters

Filter package

Connection DN 100 (4")


Filter package 1
Basic filter package
Order no. 342001


Filter package 2²⁾
Recommended
for garden use
Order no. 342002


Filter package 3²⁾
Recommended
for household use
Order no. 342005

Connection DN 150 (6")



XL/XXL filter package 1
Basic filter package
Order no. 342040



XL/XXL filter package 2
Recommended
for garden use
Order no. 342041



XL/XXL filter package 3
Recommended
for household use
Order no. 342042


2) Only for use with Maxi dome shaft DN100 (4")


Pump package


Pump package garden Jet
Order no. 342010


Pump package garden
Comfort
Order no. 342011


Pump package house
Eco-Plus
Order no. 342014


Pump package house
Professional
Order no. 342016


Pump package house
Silentio Press
Order no. 342015

Platin XL/XXL flat rainwater tank
Suitable for vehicle / lorry-bearing¹⁾

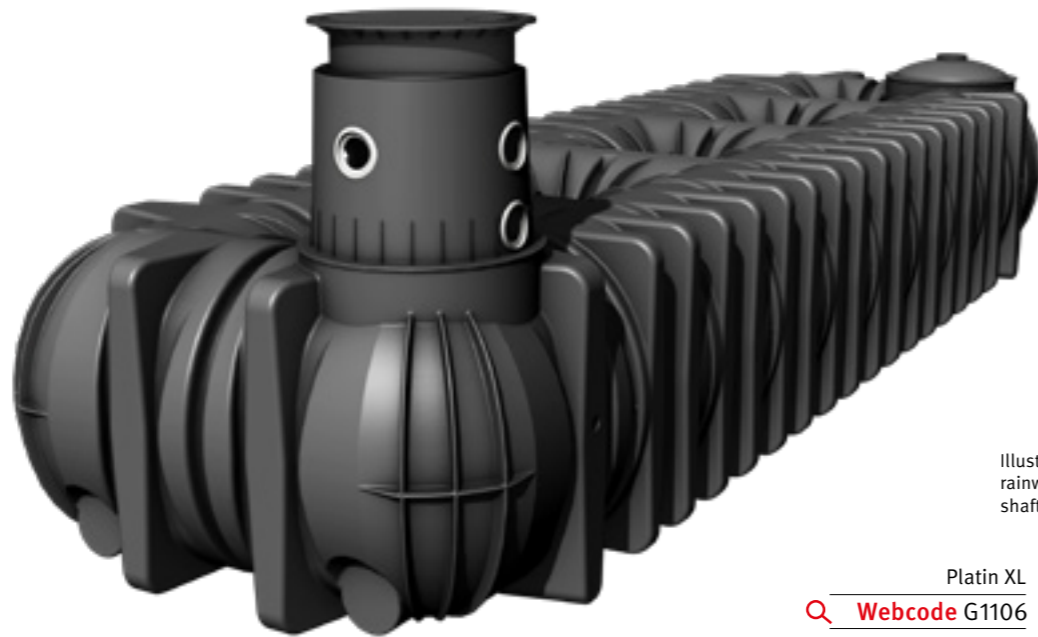
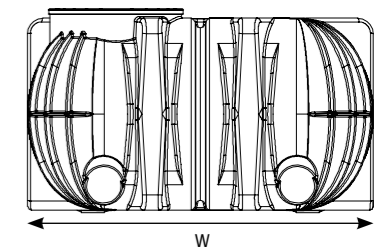
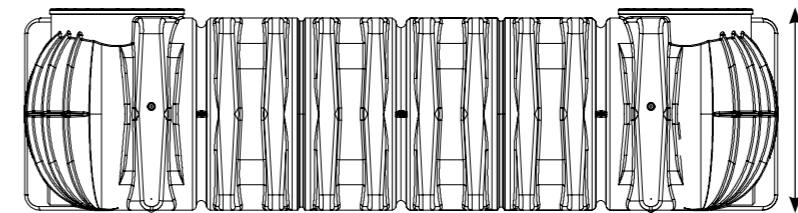
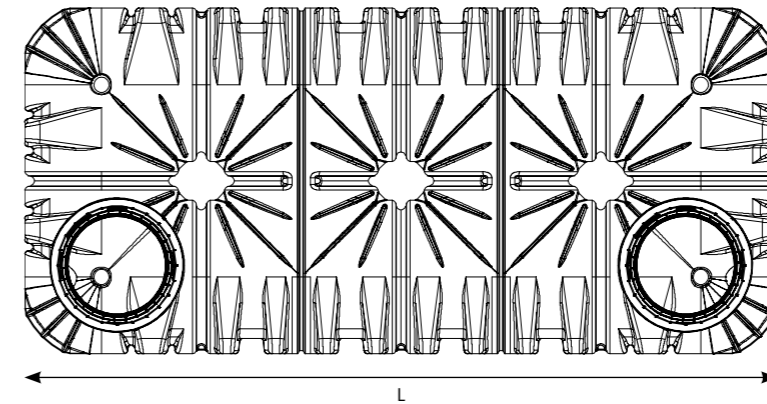


Illustration shows 15,000 l flat rainwater tank with telescopic dome shaft cast iron for vehicle (page 5)

Platin XL
Webcode G1106

Platin XXL
Webcode G1107



Dimensions

Volume	Width W	Length L	Height H	Weight	Order no.
10,000 l (2,650 US gal.)	2250 mm (7' 5")	4900 mm (16' 1")	1300 mm (4' 3")	460 kg (1014 lbs)	390822
15,000 l (3,975 US gal.)	2250 mm (7' 5")	7500 mm (24' 7")	1300 mm (4' 3")	710 kg (1565 lbs)	390823
20,000 l (5,300 US gal.)	2250 mm (7' 5")	9405 mm (30' 10")	1300 mm (4' 3")	890 kg (1962 lbs)	391810
25,000 l (6,625 US gal.)	2250 mm (7' 5")	11665 mm (38' 3")	1300 mm (4' 3")	1105 kg (2513 lbs)	391811
30,000 l (7,950 US gal.)	2250 mm (7' 5")	14265 mm (46' 10")	1300 mm (4' 3")	1355 kg (2987 lbs)	391812
35,000 l (9,275 US gal.)	2250 mm (7' 5")	16525 mm (54' 2")	1300 mm (4' 3")	1570 kg (3461 lbs)	391813
40,000 l (10,600 US gal.)	2250 mm (7' 5")	18430 mm (60' 6")	1300 mm (4' 3")	1750 kg (3858 lbs)	391814
45,000 l (11,925 US gal.)	2250 mm (7' 5")	21030 mm (69')	1300 mm (4' 3")	2000 kg (4409 lbs)	391815
50,000 l (13,250 US gal.)	2250 mm (7' 5")	22935 mm (75' 3")	1300 mm (4' 3")	2180 kg (4409 lbs)	391816
55,000 l (14,575 US gal.)	2250 mm (7' 5")	25195 mm (82' 8")	1300 mm (4' 3")	2395 kg (5280 lbs)	391817
60,000 l (15,900 US gal.)	2250 mm (7' 5")	27795 mm (82' 8")	1300 mm (4' 3")	2645 kg (5831 lbs)	391818
65,000 l (17,225 US gal.)	2250 mm (7' 5")	29700 mm (97' 5")	1300 mm (4' 3")	2825 kg (6228 lbs)	391819

Technical data

Max. earth covering (without groundwater, vehicle loading):	1500 mm (4' 11")
Vehicle loading:	Max. axle load: 2,2 t (4850 lbs) Max. vehicle weight: 3,5 t (7716 lbs) with cast iron cover Max. axle load: 11,5 t (25353 lbs)
Lorry-bearing:	Max. vehicle weight: 30 t (66138 lbs) with telescopic dome shaft, lorry-bearing in combination with load distribution plate
Earth covering required for vehicle loading:	750 – 1300 mm (29.5" – 4' 3")
Groundwater stability:	up to tank shoulder (up to 1250 mm (4' 1"))
Earth covering required for groundwater stability:	750 – 1500 mm (29.5" – 4' 11")
Connection:	per tank dome Mini DN 100 = 3 x DN 100 (4") per tank dome Maxi DN 100 = 5 x DN 100 (4") per tank dome Maxi DN 150 = 5 x DN 150 (6") Optionally up to DN 300 (12")

¹⁾ Suitable for vehicle loading with cover suitable for vehicle loading
Suitable for lorry-bearing with cover suitable for lorry-bearing in combination with load distribution plate



Platin garden Comfort package

- Very convenient to use – pump switches on and off automatically
- Integrated filter technology (100 % water yield)
- Easy installation and convenient water extraction with water hose connection (compatible with standard hose coupling)

Volume [l]	Volume [US gal.]	Connections [DN]
10,000	2,640	150 (6")
15,000	3,960	150 (6")

[Q Webcode G1221](#)

Platin garden Jet package (not shown)

- Flexible complete solution with Garden Jet pump
- Integrated filter technology (100 % water yield)
- Easy installation and convenient water extraction with water hose connection (compatible with standard hose coupling)

Volume [l]	Volume [US gal.]	Connections [DN]
10,000	2,640	150 (6")
15,000	3,960	150 (6")

[Q Webcode G1220](#)

Scope of supply: ① Platin XL flat tank, ② tank cover, ③ mini telescopic dome shaft suitable for pedestrian loading, smooth telescopic adjustment from 750 – 950 mm (29.5 – 3' 1.4") earth covering, with plastic cover or ④ cast telescopic dome shaft, suitable for vehicle loading, smooth telescopic adjustment from 750 – 1050 mm (29.5 – 3' 5.3") earth covering; ⑤ Platin XL/XXL filter package 2 consists of: filter basket including internal universal filter 3 XL, calmed inlet digester, overflow siphon, rodent guard, quick assembly sleeve Spannfix; ⑥ **Garden Comfort technical package consists of:** Integra INOX automatic submersible pump, internal and external water socket (prepared for standard hose coupling), floating suction fitting with fine filter and hose, 10 m (32' 9.4") pressure hose 25 mm 1"; ⑦ **Garden Jet technical package consists of:** Jet 700 garden pump, internal and external water socket (prepared for standard hose coupling), pump connection set with 1 m (3' 3.8") PVC hose, suction set with 12.5 m (41' 0.1") suction hose 25 mm 1"

Platin Eco-Plus package

- Low-cost complete solution
- Patented filter technology
- Switch to drinking water supply in the home when needed
- Float switch controlled
- Only one cover visible on the surface

Volume [l]	Volume [US gal.]	Connections [DN]
10,000	2,640	150 (6")
15,000	3,960	150 (6")

[Q Webcode G1222](#)

Platin Professional package (not shown)

- Professional solution with patented filter technology
- Ultra-quiet operation thanks to encapsulated system control unit
- Switch to drinking water supply in the home when needed
- Microprocessor control
- Digital level gauge
- Automatic rinse intervals of feed tank and filter
- Only one cover visible on the surface

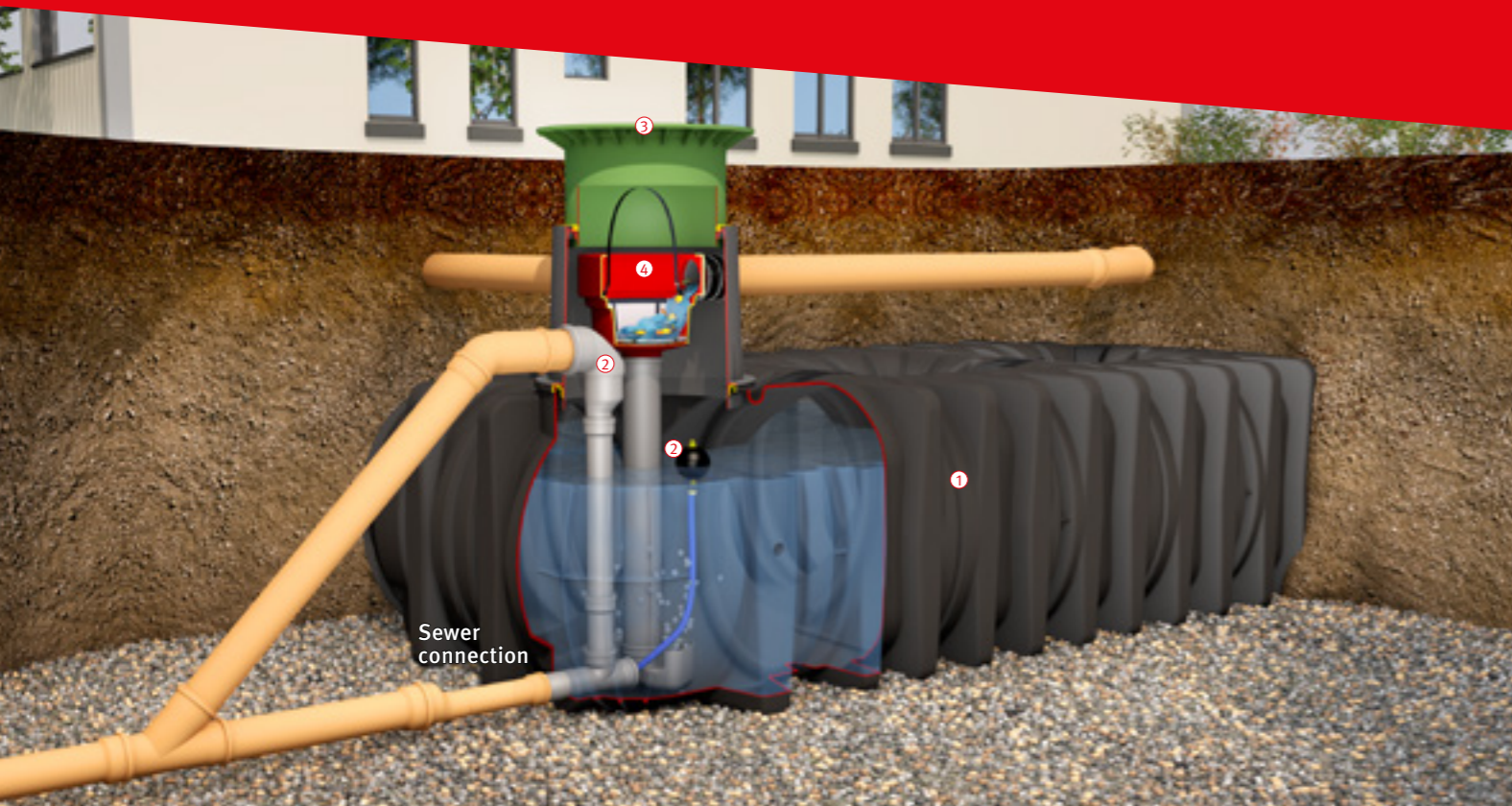
Volume [l]	Volume [US gal.]	Connections [DN]
10,000	2,640	150 (6")
15,000	3,960	150 (6")

[Q Webcode G1223](#)

Scope of supply: ① Platin XL flat tank, ② tank cover, ③ maxi telescopic dome shaft suitable for pedestrian loading, smooth telescopic adjustment from 750 – 1050 mm (29.5 – 3' 5.3") earth covering, with plastic cover or ④ cast telescopic dome shaft, suitable for vehicle loading, smooth telescopic adjustment from 750 – 1050 mm (29.5 – 3' 5.3") earth covering; ⑤ Platin XL/XXL filter package 3 consists of: internal Optimax-Pro filter XL (patented, self-cleaning), calmed inlet digester, overflow siphon, rodent guard, quick assembly sleeve Spannfix; ⑥ **Eco-Plus technical package consists of:** Aqua-Center Basic, floating suction fitting with fine filter and hose, wall duct, labelling set, PE suction pipe 25 mm 1", length 12 m (39' 4.4"), V2A Switch Control; ⑦ **Professional technical package consists of:** Aqua-Center Silentio, floating suction fitting with fine filter and hose, wall duct, labelling set, internal XL filter cleaning unit, automatic filter cleaning system, reversible flow fine filter, PE suction pipe 25 mm 1", length 12 m (32' 9.4")

Platin XL/XXL detention cistern

Platin XL/XXL retention cistern



Platin XL/XXL detention cistern

Including detention set

Volume [l]	Volume [US gal.]	Connections [DN]
10,000	2,640	150 (6")
15,000	3,960	150 (6")
20,000	5,280	150 (6")
25,000	6,605	150 (6")
30,000	7,925	150 (6")
35,000	9,245	150 (6")
40,000	10,560	150 (6")
45,000	11,885	150 (6")
50,000	13,205	150 (6")
55,000	14,530	150 (6")
60,000	15,850	150 (6")
65,000	17,170	150 (6")

Your GRAF contact will provide technical data for the detention tank needed, such as dimensional drawing with height offset between inlet and sewer connection.

Scope of supply: ① Platin XL/XXL flat tank ② Detention set: floating choke drain, outlet fittings with emergency overflow, DN 100 (4") connection
Not included in the scope of supply: ③ Matching cover (page 5) ④ Installation of optional Platin XL/XXL detention/retention filter package 2 (accessories below)

Platin XL
[Webcode G4312](#)

Platin XXL
[Webcode G4313](#)



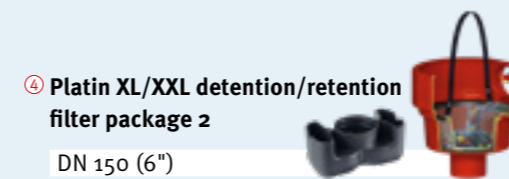
Platin XL/XXL retention cistern

Including retention set, split between retention/used volume as requested by customer

Volume [l]	Volume [US gal.]	Connections [DN]
10,000	2,640	150 (6")
15,000	3,960	150 (6")
20,000	5,280	150 (6")
25,000	6,605	150 (6")
30,000	7,925	150 (6")
35,000	9,245	150 (6")
40,000	10,560	150 (6")
45,000	11,885	150 (6")
50,000	13,205	150 (6")
55,000	14,530	150 (6")
60,000	15,850	150 (6")
65,000	17,170	150 (6")

Your GRAF contact will provide technical data for the retention tank needed, such as dimensional drawing with height offset between inlet and sewer connection.

Scope of supply: ① Platin XL/XXL flat tank ② Retention set: floating choke drain, outlet fittings with emergency overflow, DN 100 (4") connection
Not included in the scope of supply: ③ Matching cover (page 5) ④ Installation of optional Platin XL/XXL detention/retention filter package 2 (accessories below) ⑤ Garden Comfort technical package (page 5)

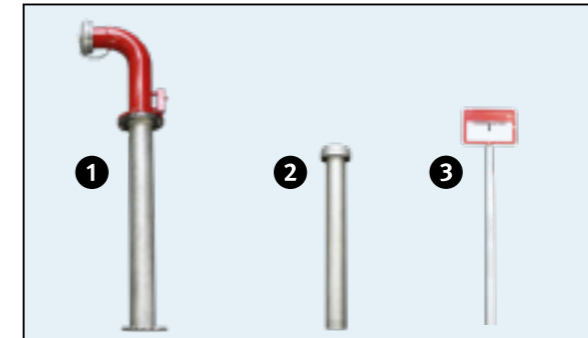


Platin XL
[Webcode G4314](#)

Platin XXL
[Webcode G4315](#)

Platin XXL firefighting water tank
 Suitable for HGV loading up to 30 t (66138 lbs)*

- Delivery includes all firefighting water accessory parts to DIN 14230
- Complete system fully factory-assembled if required – no on-site assembly
- Dome shaft allows easy access/ rescue from tank
- Individual tanks can be enlarged/ connected to create large volumes
- Fill with drinking water or rainwater
- Individual adjustment to ground level (earth covering/angle of slope)
- Low procurement costs
- Includes telescopic dome shaft suitable for lorry-bearing for customer to provide cover in accordance with DIN 3223



PLEASE CONSIDER LOCAL REGULATIONS

*With cover suitable for lorry-bearing in combination with load distribution plate

Platin XXL firefighting water tank

Volume	Useful firefighting volume	Order no.
20,000 l (5,280 US gal.)	14,000 l (3,698 US gal.)	391400
25,000 l (6,605 US gal.)	17,500 l (4,623 US gal.)	391401
30,000 l (7,925 US gal.)	21,000 l (5,547 US gal.)	391402
35,000 l (9,245 US gal.)	24,500 l (6,472 US gal.)	391403
40,000 l (10,560 US gal.)	28,000 l (7,396 US gal.)	391404
45,000 l (11,885 US gal.)	31,500 l (8,321 US gal.)	391405
50,000 l (13,205 US gal.)	35,000 l (9,246 US gal.)	391406
55,000 l (14,530 US gal.)	38,500 l (10,170 US gal.)	391407
60,000 l (15,850 US gal.)	42,000 l (11,095 US gal.)	391408
65,000 l (17,170 US gal.)	45,500 l (12,019 US gal.)	391409

Platin XXL firefighting water expansion tank

Including 2 DN 200 (8") connection fittings and telescopic dome shaft suitable for lorry-bearing

Volume	Useful firefighting volume	Order no.
20,000 l (5,280 US gal.)	14,000 l (3,698 US gal.)	391420
25,000 l (6,605 US gal.)	17,500 l (4,623 US gal.)	391421
30,000 l (7,925 US gal.)	21,000 l (5,547 US gal.)	391422
35,000 l (9,245 US gal.)	24,500 l (6,472 US gal.)	391423
40,000 l (10,560 US gal.)	28,000 l (7,396 US gal.)	391424
45,000 l (11,885 US gal.)	31,500 l (8,321 US gal.)	391425
50,000 l (13,205 US gal.)	35,000 l (9,246 US gal.)	391426
55,000 l (14,530 US gal.)	38,500 l (10,170 US gal.)	391427
60,000 l (15,850 US gal.)	42,000 l (11,095 US gal.)	391428
65,000 l (17,170 US gal.)	45,500 l (12,019 US gal.)	391429

Scope of supply: ❶ Welded-in plastic intake pipe DN 125 (5") with flange, stainless steel strainer and anti-vortex plate, including stainless steel intake pipe extension piece DN 125 (5") with flange, firefighting water intake connection with rod fitting and a fixed coupling in accordance with DIN 14244, ❷ stainless steel ventilation chimney DN 100 (4") with hood and insect-proof screen for vertical installation, ❸ holder for sign "Firefighting Water Extraction Point" with stainless steel post in accordance with DIN 4066 (B2), ❹ access ladder incl. appropriate mounting kit for mounting in tank dome, HGV telescopic dome shaft for coverage on site in accordance with DIN 3223

Webcode G1317



Headquarters at Teningen near Freiburg



GRAF – solutions for global challenges

Pure, clean water is one of our most important resources. GRAF develops, manufactures and markets an extensive range of products for water management. GRAF provides solutions to global challenges, such as protecting watercourses or preventing flooding, with typical German quality.

Active in over 70 countries, with roots in Germany

GRAF products are exported to more than 70 countries around the world. Despite being highly active abroad, GRAF is also continually investing in its headquarters at Teningen. By constructing its raw materials competence centre in Herbolzheim, GRAF is expanding its German roots yet further.

Sustainably manufactured environmental products

GRAF environmental products are 100 % recyclable and are designed for as long a life as possible. This ensures that fewer resources are used and the environmental impact is minimised. Right from the stage of developing its products, GRAF attaches great importance to sustainable product design. Through years of intensive research, GRAF has managed to replace 70 % of the raw materials used in production with recycled products – without compromising product quality. This also improves the environmental performance of the GRAF product range. Sustainability is also hugely important during the manufacturing process. For example, the waste heat from production is used to heat the production and logistics building.

From pioneer to market leader

GRAF has over 50 years of experience in the development and manufacturing of high-quality plastic products. The company launched its first rainwater barrels in 1974 with the slogan „Rainwater is free“ and soon started marketing other rainwater harvesting products too. GRAF’s innovative and user-friendly water management solutions have since made the company a leading system vendor in Europe.

Quality comes first

GRAF uses state-of-the-art production facilities. A high standard of quality in production is an essential starting point for unique products. End-to-end quality assurance and a high level of automation guarantee maximum reliability in production. Because of our high standard of quality, we offer a warranty of up to 15 years on GRAF products.

Partner to the specialist construction material trade

The GRAF brand represents the exclusive specialist trade range from Otto Graf GmbH.

It goes without saying that the company works in partnership with the trade to support various target groups, such as gardening/landscaping/construction companies and planners.

Support for the whole process – the GRAF project team

All the companies involved in a construction project need to work together directly and pragmatically - especially on large-scale undertakings. The GRAF project team provides such projects with valuable support, ranging from planning and assistance with official approvals to functional construction site logistics and on-site consultation.

99 % supply capacity even during the busy season

GRAF products are exported around the globe. Intelligent logistics and sufficient stock levels ensure first-class availability and fast responses even during the levels of high demand.

Benefits of working with GRAF

- Exclusive specialist trade range
- Clear sales strategy
- Training/support for sales staff in the trade
- Consistent brand management
- Comprehensive assistance with marketing



Teningen warehouse



Teningen logistics centre





Rainwater management solutions



www.graf.info

RAINWATER HARVESTING



STORMWATER MANAGEMENT



WASTEWATER TREATMENT SOLUTIONS



SEPARATORS



GARDEN PRODUCTS & MULTI-PURPOSE CONTAINERS



Rainwater Harvesting Solutions

For more information about our Rainwater Harvesting Solutions, ask for our catalogue.

Prices:

A price list with our export conditions is available on request.

Warranty clause:

The warranty mentioned in this brochure only refers to the tank in question and not to the accessories. Within the warranty period we grant free replacement of the material. Further benefits are excluded. Pre-condition for warranty benefits are proper handling, assembly and installation according to the mounting guidelines.

Over and above the statutory regulation, GRAF is lengthening the warranty period for a number of underground tanks. This relates to proper handling, assembly and installation in accordance with the installation manual, as well as leakproofness, usability and static safety. The prerequisites of this are competent assembly and operation in accordance with the requirements, namely the currently valid installation and operating instructions and the prevailing standards.

N.B. Protect tanks from frost when installed aboveground! In case of groundwater installation, please contact us for further information previous to the purchase!

For all indications of measurements in this brochure we reserve a tolerance of +/- 3%. The useful volume of the tanks may be up to 10% lower than the tank capacity, according to the connecting option.

Technical modifications and further development of the different products are subject to change. Errors excepted.

For all our offers and conclusions of contract are only valid our General Terms and Conditions of Business dated 01/10/2012 which we will send to you on request.

Otto Graf GmbH
Kunststoffzeugnisse
Carl-Zeiss-Straße 2-6
DE-79331 Teningen

Tel.: +49 7641 589-0
Fax: +49 7641 589-50
mail@graf.info

GRAF UK Ltd
Regen House
Beaumont Road
Banbury, Oxfordshire
UK-OX16 1RH

Phone: +44 1608 661-500
Fax: +44 01295 211333
info@grafuk.co.uk
www.graf-water.com

© Otto Graf GmbH/Item no. 950610/EN

